

## **Driver Specification for Linear Motor Drive Tables**

## ■ Specification of MR-J4, a driver for NT38V

- Low-voltage (DC24V) specification and compact design of 100×90×30 mm. It contributes to miniaturization of devices and compactness.
- Servo gain adjustment, including machine resonance suppression filter, advanced vibration control II, and robust filter, can be completed simply by turning on the one-touch tuning function. Easy driving of the cutting-edge vibration suppression function allows the machine to produce its best performance.
- Machine diagnosis, startup and adjustment of the linear motor can be easily performed thanks to parameter settings, monitor display and machine analyzer of the setup software (MR Configurator2).

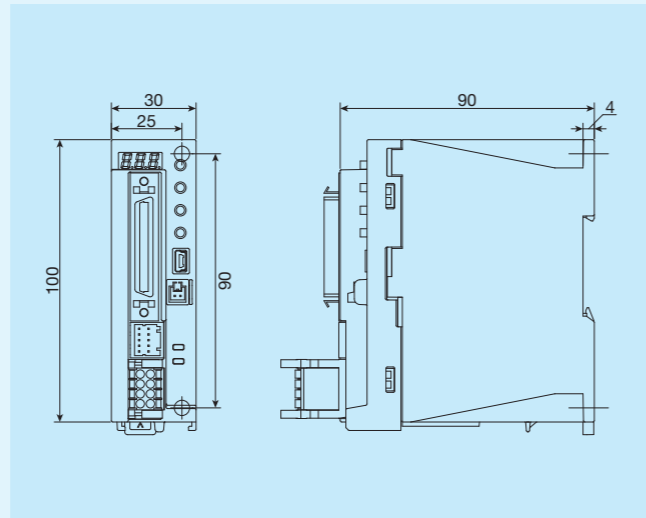


Table 1 Specifications for MR-J4

Identification Number		MR-J4-03A6-NL156J154/ MR-J4-03A6-NL156J155
Output	Rated voltage	Three-phase AC13V
	Rated current	2.4A
Main circuit power supply input	Voltage	DC24V
	Rated current	2.4A
	Allowable power fluctuation	DC21.6V to 26.4V
Control circuit power supply input	Voltage	DC24V
	Rated current	0.2A
	Allowable power fluctuation	DC21.6V to 26.4V
	Power consumption	5.0W
Power supply for interface		DC24V ±10% (required current capacity: 0.3 A)
Control method		Sine wave PWM control/current control method
Allowable regenerative power for servo amplifier built-in regenerative resistor		0.7W
Dynamic brake		Built-in
Communication function		USB: connection with personal computer, etc. (MR Configurator2 supported)
Encoder output pulse		Supported (ABZ-phase pulse)
Analog monitor		2-channel
Position control mode	Maximum input pulse frequency	4 Mpulses/s (with differential receiver), 200 kpulses/s (with open collector)
	Command pulse magnification	Electronic gears A/Bx A = 1 to 1.6777215, B = 1 to 16777215, 1/10 < A/B < 4000
	Positioning complete width setting	0 pulses to ±65535 pulses (command pulse unit)
Positioning mode		Point table method
Protective function		Overcurrent interrupt, regeneration overvoltage interrupt, overloading interrupt (electric thermal), servomotor overheat protection, encoder error protection, regeneration error protection, undervoltage protection, momentary power failure protection, overspeed protection, excessive error protection, magnetic pole detection protection, linear servo control error protection
Compliant overseas standards	CE marking	LVD:EN 61800-5-1/EN 60959-1 EMC:EN 61800-3
	UL standard	UL 508C (NMM S2)
Structure (protection degree)		Natural air cooling and opening (IP20)
Environmental conditions	Ambient temperature	Operation: 0 to 55° C (keep freeze free), Storage: -20 to 65° C (keep freeze free)
	Ambient humidity	Operation/storage: 5% to 90% RH or lower (keep condensation free)
	Atmosphere	Indoors (no exposure to direct sunlight) Must be free from corrosive gas, flammable gas, oil mist and dust
	Altitude	1,000 m or lower
Vibration resistance		5.9 m/s <sup>2</sup> or less, 10 Hz to 55 Hz (X, Y, Z directions)
Mass		0.2 kg

## Specifications for ADVA

### Applicable model numbers

NT series: NT55V, NT80V, NT88H, NT...XZ, NT...XZH

SA series: all model numbers

LT series: all model numbers

- In addition to the conventional pulse train command input, high speed motion network EtherCAT is also supported.
- 10 input terminals, 6 output terminals, and analog input (0 to ±10 V) can be controlled by intelligent terminals.
- The high controllability shortens the settling time, realizing further improvement of productivity.
- Machine diagnosis, startup and adjustment of linear motor can be easily performed thanks to parameter settings, monitor display, operation trace and automatic tuning function of the setup software.

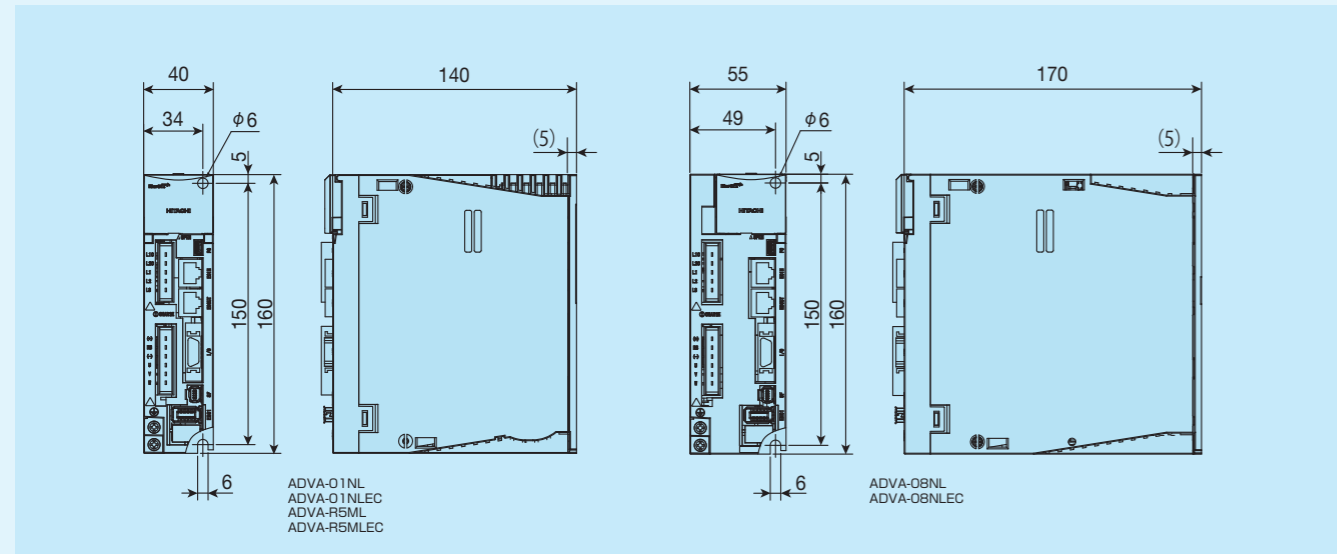


Table 3 Specifications for ADVA

Item	Identification number	ADVA-01NL ADVA-01NLEC	ADVA-08NL ADVA-08NLEC	ADVA-R5ML ADVA-R5MLEC
Basic specification	Input power	Single-phase / Three-phase AC 200 to 230 V 50 / 60Hz		Single-phase AC100 to 115V 50 / 60Hz
	Rated current / momentary current	1.2Arms / 3.6Arms	5.1Arms / 15.3Arms	1.2Arms / 3.6Arms
	Power plant capacity	0.3kVA	1.3kVA	0.2kVA
	Protective structure (1)	Semi-enclosed IP20		
Input/Output relation function	Control mode	Position control / Speed control / Thrust force control		
	Speed command	Analog input: 0 to ±10 V / Maximum speed (gain configurable) or EtherCAT		
	Thrust force command	Analog input: 0 to ±10 V / Maximum thrust force (gain configurable) or EtherCAT		
	Position command	Line driver signal: 20 Mpps (non-isolated input / after 4-time multiplication) Open collector signal: 2 Mpps (isolated input / after 4-time multiplication) or EtherCAT		
Internal function	Contact input / output	[Input] Intelligent terminal selects 10 input terminal (6 input terminal for EtherCAT specification) function by parameter DC12 / 24 V Contact signal / Open collector signal input (with internal DC24 V power supply) [Output] Intelligent terminal selects 6 output terminal (4 output terminal for EtherCAT specification) function by parameter (Open collector signal output: sink output)		
	Built-in operator	Pulse train command specification: Five digit numeric display, five key push button / DIP switch (Modbus communication setting) EtherCAT specification: 2-digit numeric display, DIP switch (node address setting for EtherCAT)		
Operating environment	External operator	Windows 7/8 (32-bit, 64-bit) PC can be connected (USB 2.0 full speed)		
	Regenerative braking circuit	Built-in		
	Dynamic brake (2)	Built-in (motion condition configurable)		
Protective function	Protective function	Overcurrent, overload, braking resistor overload, main circuit overvoltage, memory error, main circuit under voltage, CT failure, CPU error 1, external trip (motor temperature error), servo ON ground detection, control circuit under voltage, servo amplifier temperature error, drive prohibition error, power module failure, safety circuit failure, emergency shutdown, encoder failure, mismatch error, power reactivation request, magnetic pole position estimation error, magnetic pole position estimation not executed, position deviation error, speed deviation error, overspeed error, momentary power failure, main circuit power supply failure, drive range error (network communication error, DC synchronization error, under voltage display)		
	Ambient temperature in operation / Storage temperature (3)	0 ~ 55°C / -10 ~ 70°C		
	Operating humidity	20 to 90% RH (keep condensation free)		
	Vibration resistance (4)	5.9m/s <sup>2</sup> (0.6G) 10 to 55Hz		
Service space	Service space	Altitude of 1000 m or below, indoor (no corrosive gas and dust)		
	Mass	0.7kg	1.2kg	1.1kg

Notes (1) Protection method is compliant with JEM1030.

(2) Use the dynamic brake for emergency stop

(3) The storage temperature is the temperature during transportation.

(4) Compliant with JIS C60068-2-6:2010.

## Setup software

- Used for setting, referencing, changing, printing and saving driver parameters.
- Allows for real-time monitoring of operational status and output status.
- Indicates speed and current, etc. on charts.
- Supports commissioning and gain tuning.

Table 4 Operating environment of the setup software

Item	Operating conditions
PC	CPU: Pentium 4 1.8 GHz or higher HDD free space: 1 GB or more Display resolution: 1024x768 or higher recommended
OS	Windows Vista 32-bit SP1 Windows 7 (32-bit, 64-bit) Windows 8 (32-bit, 64-bit)

Remark: Windows® is a registered trademark of Microsoft Corporation in USA and other countries.  
Pentium is a registered trademark of Intel Corporation in USA and other countries.

## Automatic tuning function

By using the automatic tuning function of the setup software for ADVA, non-expert users can easily perform high-accuracy gain adjustment.

<Operating conditions>

Main body: NT55V25/05R + ADVA-01NL/NT55V25

Carrying mass: 200g Speed: 500mm/s Positioning complete width: ±5μm Traveling distance: 10mm

Acceleration/deceleration time: 12ms

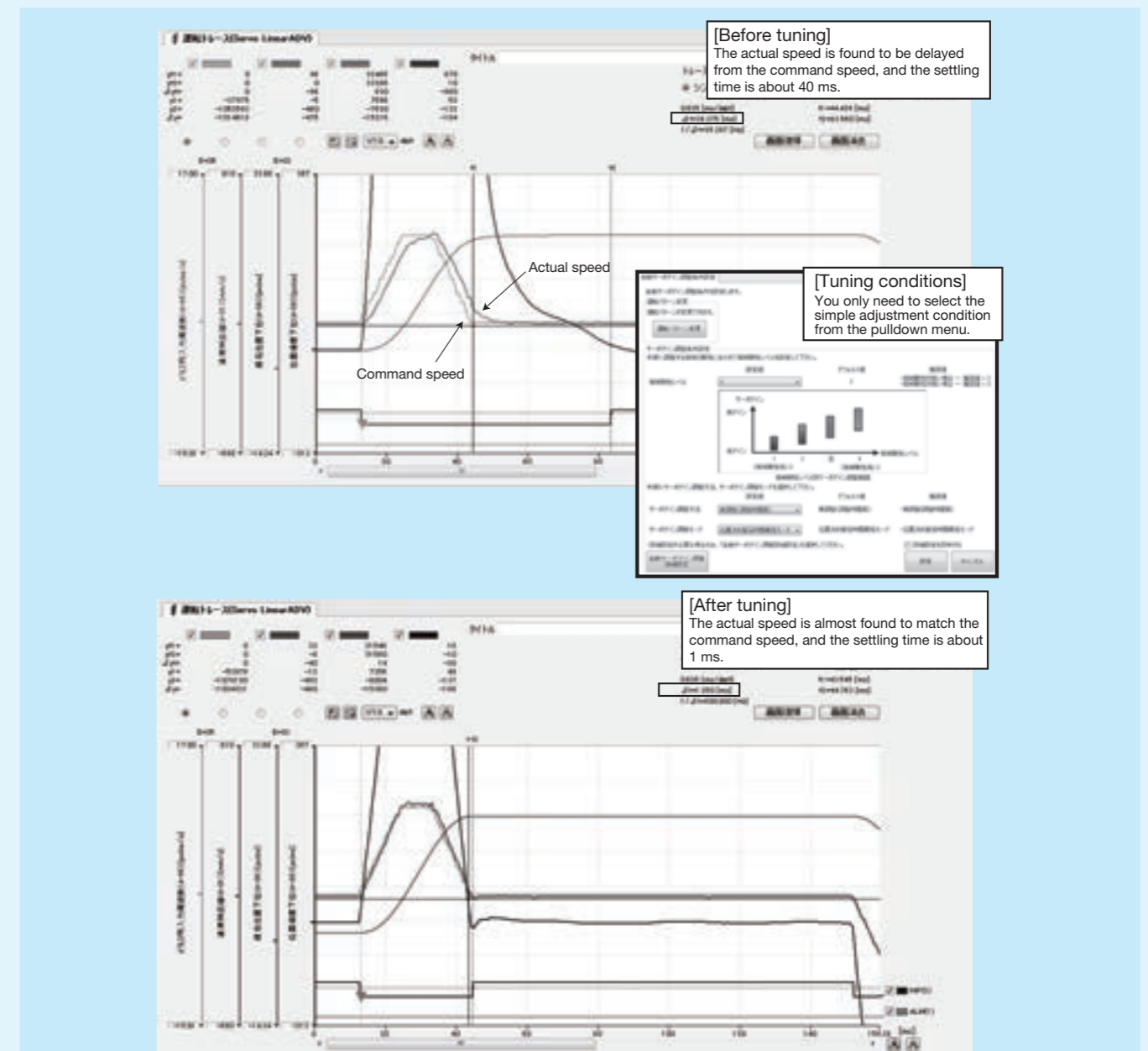


Fig. 2 Automatic tuning

# MR-J4

## Specifications for MR-J4

### Applicable model numbers

NT series: NT55V, NT80V  
SA series: all model numbers

- Supports SSCNET III/H (high-speed serial bus). Higher speed and accuracy are realized by optical communication system.
- Servo gain adjustment, including machine resonance suppression filter, advanced vibration control II, and robust filter, can be completed simply by turning on the one-touch tuning function. Easy driving of the cutting-edge vibration suppression function allows the machine to produce its best performance.
- Machine diagnosis, startup and adjustment of linear motor can be easily performed thanks to parameter settings, monitor display and machine analyzer of the setup software (MR Configurator2).

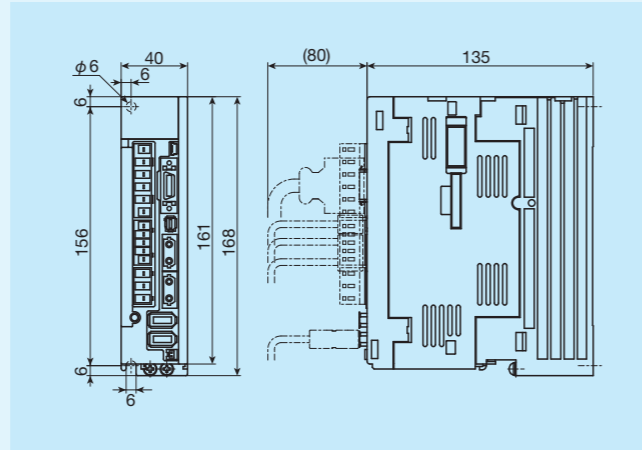
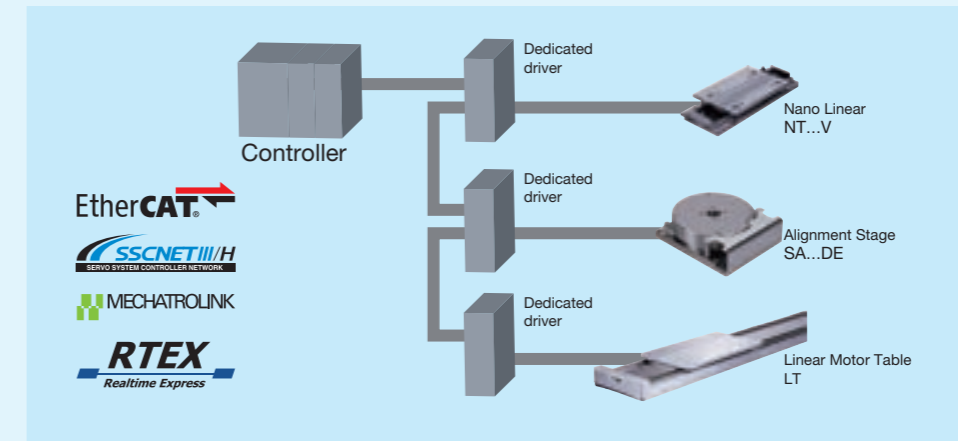


Table 5 Specifications for MR-J4

Item		Identification Number	MR-J4-10B-RJ
Basic specification	Output	Rated voltage	Three-phase AC170V
		Rated current	1.1A
	Main circuit power supply	Voltage / Frequency	Single-phase / Three-phase AC200-240V 50/60Hz
		Allowable power fluctuation	Single-phase / Three-phase AC170-264V
		Allowable frequency fluctuation	Within ± 5%
		Control circuit power supply	Voltage / Frequency
	Allowable power fluctuation		Single-phase AC170-264V
	Allowable frequency fluctuation		Within ± 5%
	Power consumption		30W
		Power supply for interface	DC24V ± 10% (required current capacity: 0.3A (includes CN8 connector signal))
	Structure (protection class)	Natural air cooling and opening (IP20)	
	Control method	Sine wave PWM control/current control method	
	Machine end encoder interface	Mitsubishi high-speed serial communication / ABZ-phase differential input signal	
Input/Output function	Encoder output pulse	Supported (ABZ-phase pulse)	
	Analog monitor	2ch	
Internal function	Communication function	USB: connection with personal computer, etc. (MR Configurator2 supported)	
	Dynamic brake	Built-in	
	Protective function	Overcurrent interrupt, regeneration overvoltage interrupt, overloading interrupt (electric thermal), servomotor overheat protection, encoder error protection, regeneration error protection, undervoltage protection, momentary power failure protection, overspeed protection, excessive error protection, magnetic pole detection protection, linear servo control error protection	
Operating environment	Ambient temperature	0 to 55° C (keep freeze free), Storage: 20 to 65° C (keep freeze free)	
	Ambient humidity	90%RH or lower (keep condensation free), Storage: 90%RH or lower (keep condensation free)	
	Atmosphere	Indoor (no exposure to direct sun light), must be free from corrosive gas, flammable gas, oil mist and dust	
	Altitude	1 000m or lower	
	Vibration resistance	5.9m/s <sup>2</sup> or less, 10Hz to 55Hz (X, Y, Z directions)	
Mass		0.8kg	

# Motion Network

Drivers for linear motor drive tables include those supporting motion networks EtherCAT, SSCNET III/H, MECHATROLINK, and RTEX. Motion networks realize higher performance and higher accuracy of devices free from pulse frequency constraint in pulse train command, noise effects in analog command (voltage command), voltage drop due to cable length and effects of temperature drifting. Reduction of wiring can also be achieved, so a synchronization system with more than one table can easily be established.



Model	Features
EtherCAT	This is an Ethernet-based open network communication system developed by Beckhoff of Germany, allowing the real time control. High speed communication and high accuracy inter-node synchronization realize the higher performance and higher accuracy of devices. In addition, Ethernet cables available on the market can be used and various wiring types can be supported.
SSCNET III/H	This is a motion network communication system for servo system control developed by Mitsubishi Electric Corporation. It applies the optical fiber cables, so noise immunity is improved relative to conventional SSCNET.
MECHATROLINK	The open field network communication that connects the controller and various components. Developed by Yaskawa Electric Corporation and managed by MECHATROLINK Members Association.
RTEX	RTEX (Realtime Express) is an advanced network developed independently by Panasonic Corporation, in order to deliver the high real time performance required for servos. It offers extremely high-speed communication (100Mbps), and supports commercially available LAN cables to help reduce system costs.